

Who is Dura-Lite™ ?



We manufacturer **top quality cooling products**

In business for over 30 years!

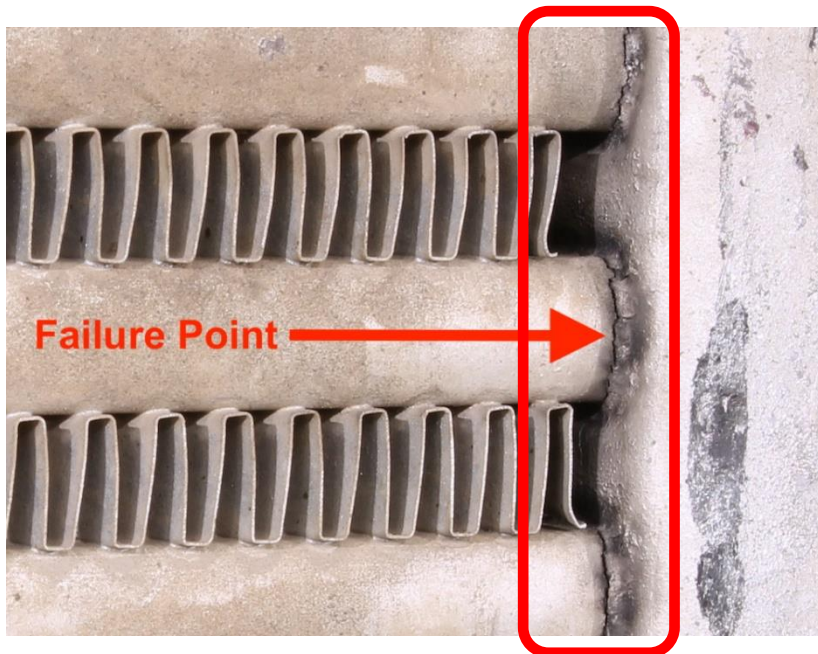
Best known for **Evolution® Charge Air Coolers**
(a.k.a. CAC's)

Evolution[®] CAC Difference

Other CAC's

Tube to header joints in a standard CAC are rigid. They are unable to expand and contract without eventually cracking.

The result: A LEAKING COOLER.



Evolution[®]

In an **Evolution[®]** CAC, all of the movement is absorbed by the patented, flexible, high-temperature, silicone grommets.

The result: NO CRACKS & NO LEAKS.



Leaks are sneaks!

Most leaks cannot be heard over engine noise.

Most cracks can't be seen.

So, if a truck has any of the following symptoms:

Poor Fuel Economy

Low Power

Overheating issues

DPF Issues

TEST THE CAC!

What makes the Evolution[®] CAC better?

DURA-LITE™
Charge Air Coolers · Radiators

Patented High Temp Silicone Grommet Seal System

Internally reinforced tank support system

Manufactured 100% leak free

Dyno tested to optimize performance

EPA Certified

7 Year – 1 Million Mile Warranty



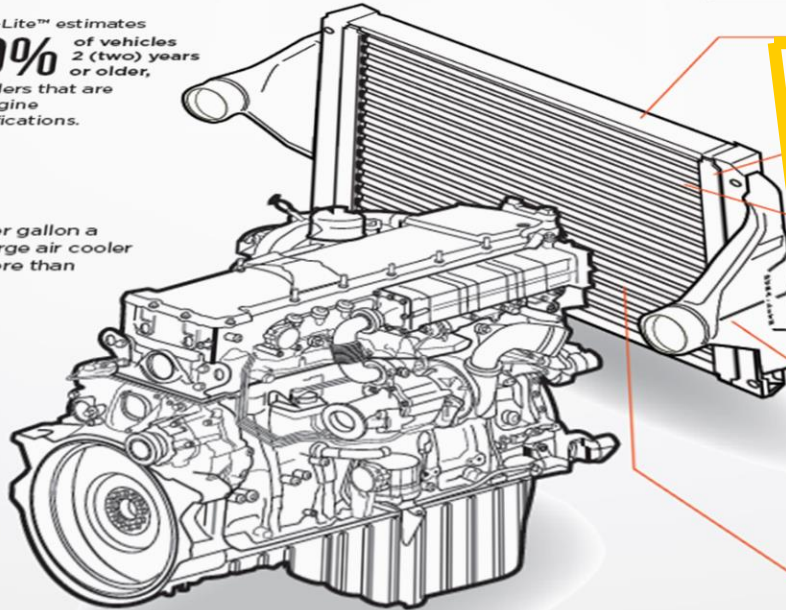
Dura-Lite™ estimates
40% of vehicles
2 (two) years
or older,
have Charge Air Coolers that are
leaking out of the engine
manufacturers' specifications.



At \$3.70 per gallon a
leaking charge air cooler
can cost more than
\$7,020.00
per year in wasted fuel.



Dura-Lite™ has
less than 1% warranty return.



DURA-LITE™ FEATURES

344% thicker than
typical competitor

Header thickness
(at the web) is
100% thicker than
typical competitor

Tube thickness
(at the nose) is
135% thicker than
typical competitor

Manifold thickness is
69% thicker than
typical competitor

Fin thickness is
50% thicker than
typical competitor

duralite.net

4 out of 10
tube & fin coolers will
fail sometime within
TWO years!

Less than 1 out of 100
Dura - Lite Evolution
coolers will fail in a **SEVEN**
year window duralite.net



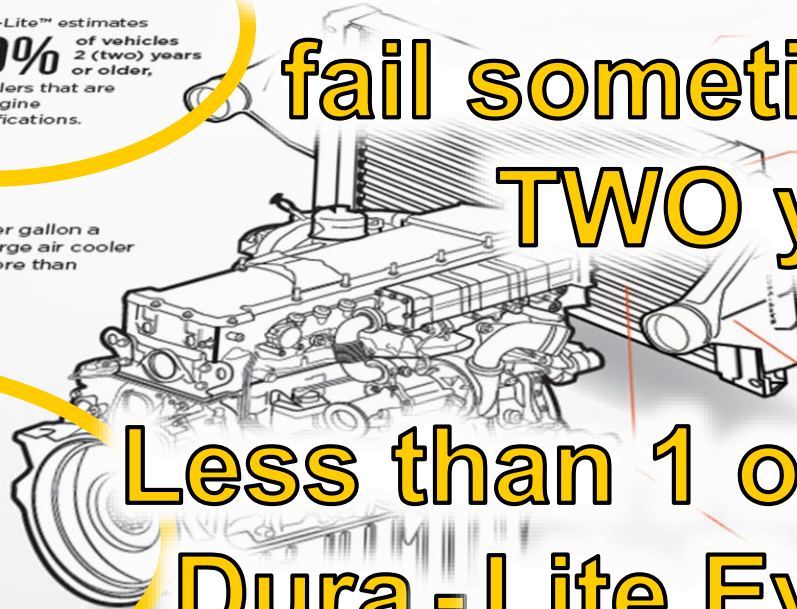
Dura-Lite™ estimates
of vehicles
40% 2 (two) years
or older,
have Charge Air Coolers that are
leaking out of the engine
manufacturers' specifications.



At \$3.70 per gallon a
leaking charge air cooler
can cost more than
\$7,020.00
per year in wasted fuel.



Dura-Lite™ has
less than 1% warranty return.



Sidepiece thickness is

Header thickness
(at the web) is

Tube thickness
(at the nose) is
135% thicker than
typical competi

50% thicker than

Engineered as a direct OE replacement

Meet or exceed the OE heat transfer performance

Superior to other aftermarket and OE coolers

The most economical Dura-Lite option

1-year, unlimited-mileage North American warranty



Contact:

DURA-LITE™
Charge Air Coolers · Radiators

Customer Support

1-800-661-1117

customersupport@duralite.net

Juliano Klein

Sales & Marketing Manager

403-998-4999

julianok@duralite.net